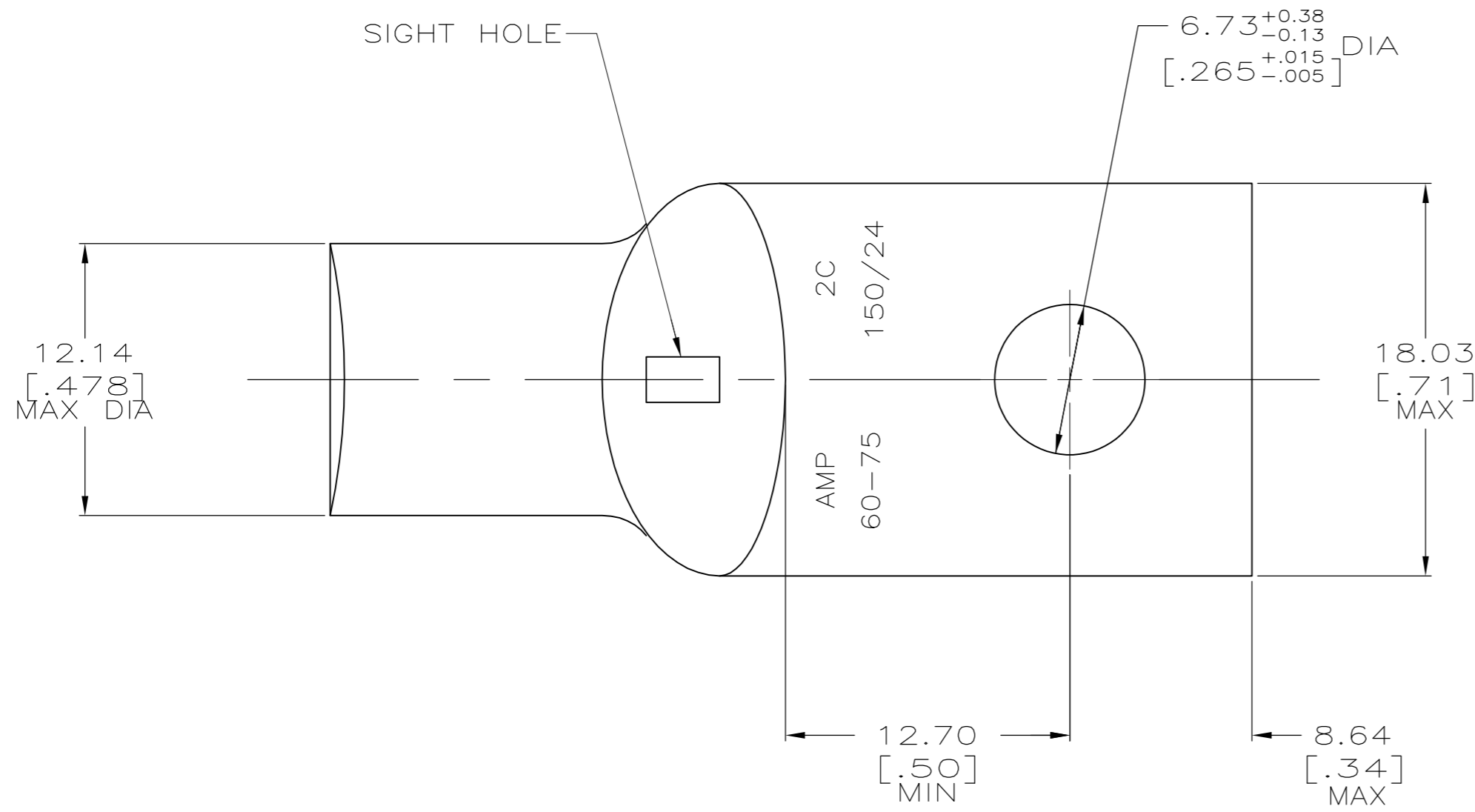
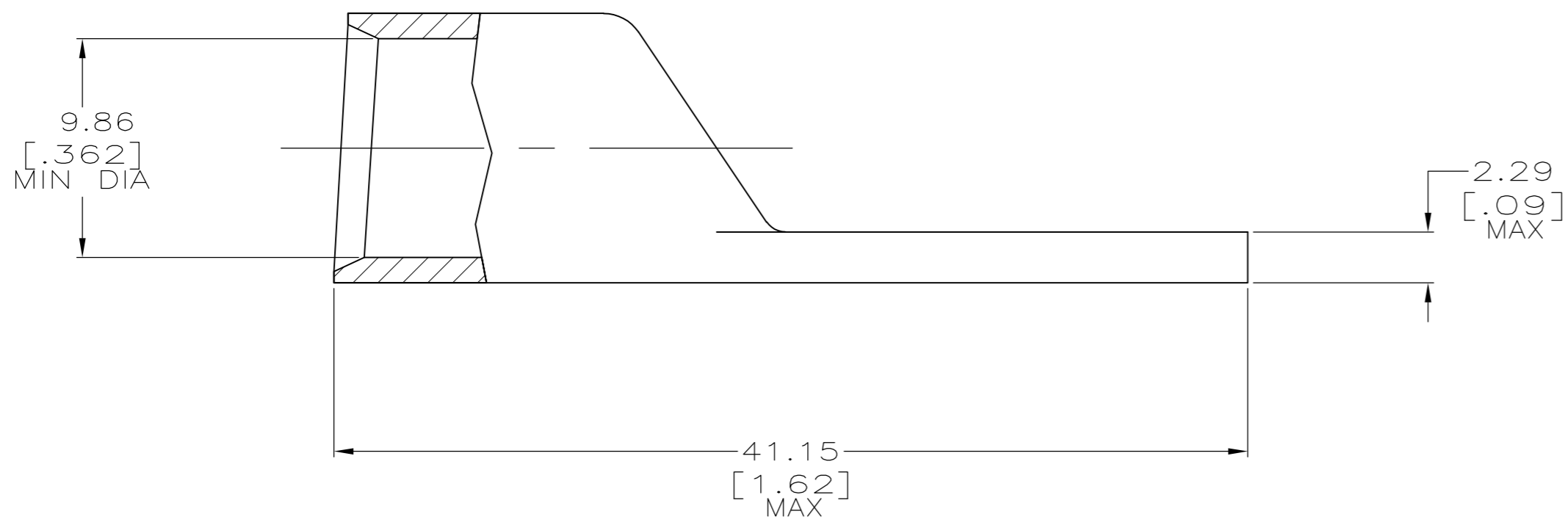


THIS DRAWING IS UNPUBLISHED. RELEASED FOR PUBLICATION  
 © COPYRIGHT BY TYCO ELECTRONICS CORPORATION. ALL INTERNATIONAL RIGHTS RESERVED.

| LOC | DIST | REVISIONS |     |                       |          |     |      |
|-----|------|-----------|-----|-----------------------|----------|-----|------|
|     |      | P         | LTR | DESCRIPTION           | DATE     | DWN | APVD |
| G   | 86   |           |     |                       |          |     |      |
|     |      | V1        |     | REV PER ECR 08-024239 | 25SEPT08 | JR  | CK   |



1 CIRCULAR MIL AREA RANGE: 52,600-83,700 CM  
 2 TIN PL 0.00381[.000150] MIN THK PER MIL-T-10727



325201  
 PART NO.

|  |  |                                  |   |  |
|--|--|----------------------------------|---|--|
| THIS DRAWING IS A CONTROLLED DOCUMENT. |  | DWN<br>DK SCHRUM<br>04/05/90     | Tyco Electronics Corporation<br>Harrisburg, PA 17105-3608 |  |
| DIMENSIONS:<br>MM [INCHES]             |  | CHK<br>MS FEHER<br>18JAN95       | NAME<br>TL SHUTTER  |  |
| TOLERANCES UNLESS OTHERWISE SPECIFIED: |  | APVD<br>TL SHUTTER<br>18JAN95    | PRODUCT SPEC<br>108-30200                                 |  |
| 0 PLC ± -                              |  | APPLICATION SPEC                 |   |  |
| 1 PLC ± -                              |  | WEIGHT .026 LB                   |   |  |
| 2 PLC ± 0.51[.020]                     |  | SIZE A2 CAGE CODE 00779 C=325201 |   |  |
| 3 PLC ± -                              |  | DRAWING NO                       |   |  |
| 4 PLC ± -                              |  | RESTRICTED TO                    |   |  |
| ANGLES ± -                             |  | SCALE 4:1 SHEET 1 of 1 REV V1    |   |  |
| FINISH                                 |  | CUSTOMER DRAWING                 |   |  |